

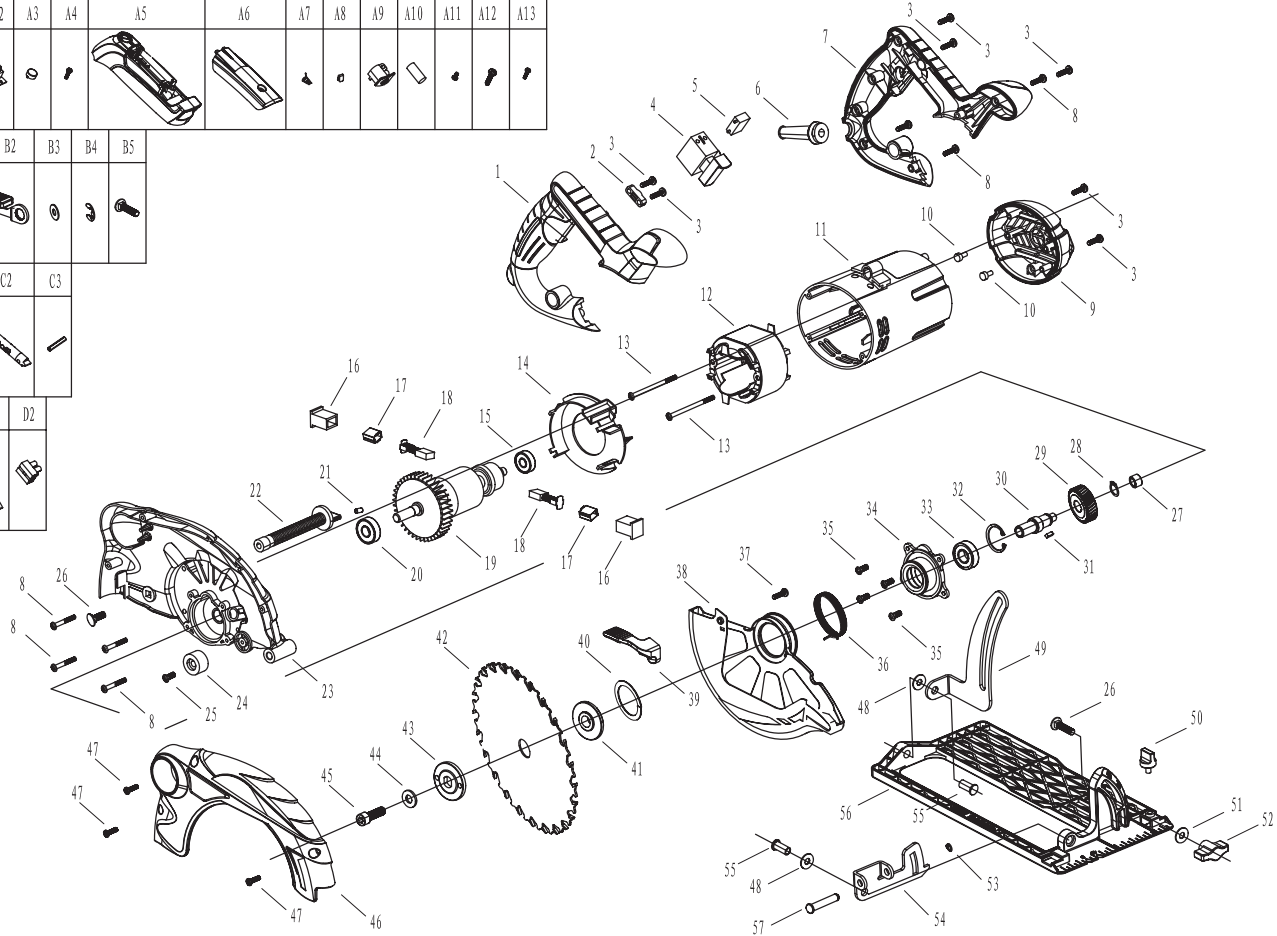
EXPLODED VIEW OF RD-CS22

A	A1	A2	A3	A4	A5	A6	A7	A8	A9	A10	A11	A12	A13

B	B1	B2	B3	B4	B5

C	C1	C2	C3

D	D1	D2



PARTS LIST RD-CS22

№	Description	pcs	№	Description	pcs
1	Right handle	1	41	lower clamp	1
2	tension disc	1	42	blade 185	1
3	screw ST4*16	9	43	upper clamp	1
4	Switch	1	44	blade clamping waser	1
5	Capacitor 0.22uf	1	45	hex screw M8*14	1
6	Cable clamp	1	46	right aluminium mask	1
7	Left handle	1	47	screw M5*12	3
8	screw ST4*20	6	48	red vulcanized fiber	2
9	Back mask	1	49	Depth adjustment block	1
10	breakage-proof board	2	50	Ruler Clamp Screw	1
11	shell	1	51	depth clamping waser	1
12	stator settings	1	52	Angel Clamp knob	1
13	screw ST4*53	2	53	external circlip plier	1
14	Baffle Fan	1	54	bevel adjustment knob	1
15	bearing 608	1	55	braket rivet	2
16	brush holder	2	56	plate	1
17	brusher copper nest	2	57	connecting pin	1
18	carbon brush	2	A1	square nut	2
19	armature settings	1	A2	laser switch assembly	1
20	bearing 6000	1	A3	laser switch button	1
21	rubber column	1	A4	screw M3*10	2
22	depth-clamp wrench	1	A5	cell box	1
23	left-aluminium mask	1	A6	cell cover	1
24	retreating-proof shim	1	A7	laser spring	2
25	screw M4*16	1	A8	copper wafer	2
26	Carriage bolts	1	A9	laser set	1
27	Neddle Bearing	1	A10	laser top	1
28	external circlip	1	A11	screw ST3*8	3
29	gear	1	A12	screw ST3*10	1
30	bearing	1	A13	screw ST3*10	2
31	flat key 3*10	1	B1	depth-clamp wrench	1
32	internal circlip	1	B2	depth spanner	1
33	bearing 6001	1	B3	depth clamping washer	1
34	bearing bracket	1	B4	split washer	2
35	screw ST4*12	4	B5	depth clamping screw	1
36	Spring for low guard	1	C1	shaft lock spring	1
37	screw ST4*10	1	C2	shaft lock	1
38	working mask	1	C3	elastic cylindrical pin	1
39	working wrench	1	D1	soft start board	1
40	Spiral Spring	1	D2	post head	1